

Utilizing the small footprint of the REM 4510, the REM 4515's well engineered and shaftless design allows the operator to easily load and unload the machine without ever touching the roll. Always running on the centerline of the machine, both arms open and close simultaneously by way of a precise electronic ball screw design.

4515

[shaftless pedestal]

Shaftless design

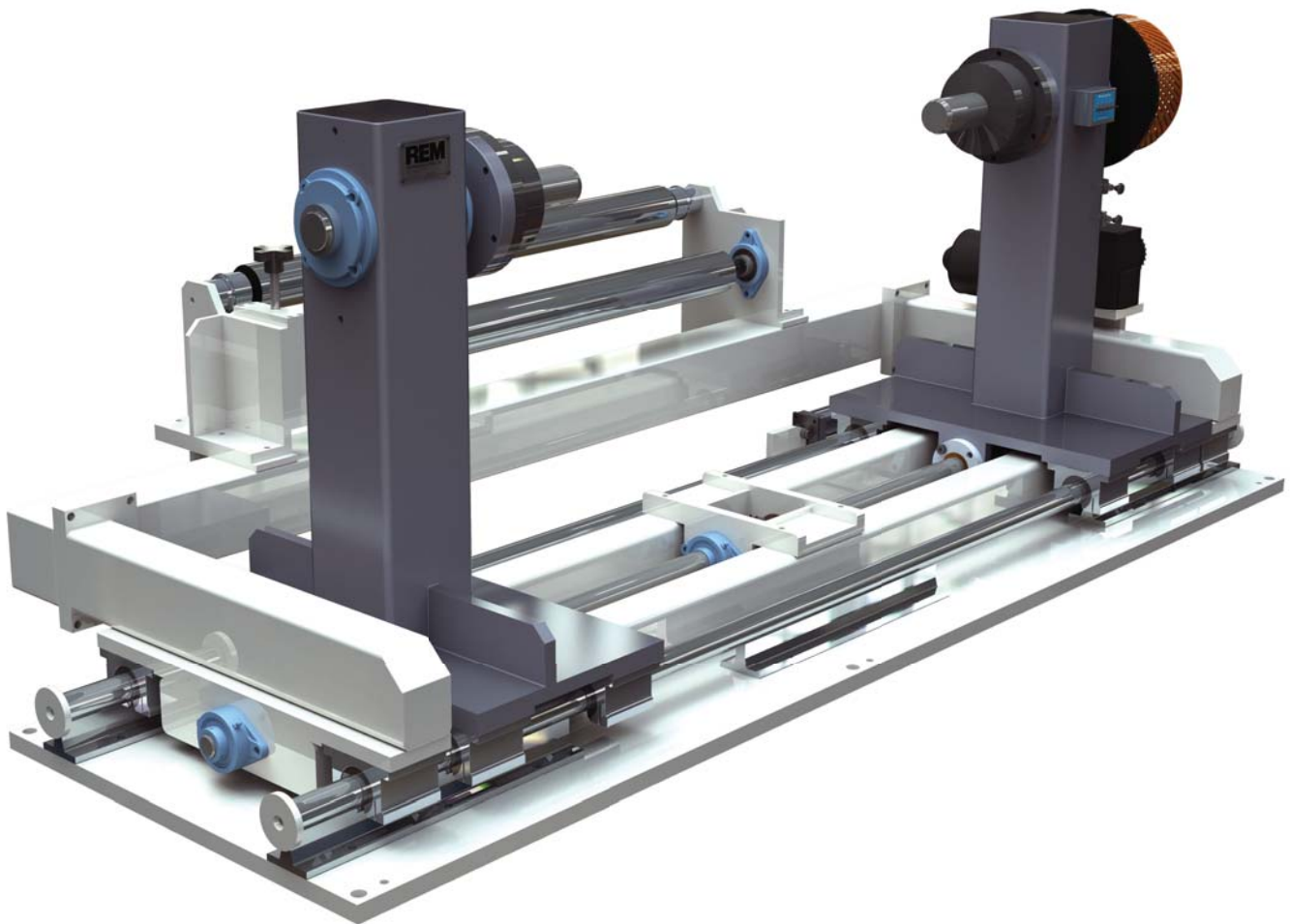
Arms are center-aligned

Pneumatic disc brake

Constant unwind tension via load cell feed back

Bag-edge adjusting idler roll

Pneumatic chucks



Diameters

48" | 60"

Web Widths

30 | 40 | 52 | 62 | 72 | 84"

Shaft Type:

- Core Chucks
- Cantilevered

Control System:

- Brake [Motor Optional]
- Point I/O
- 7" Touchscreen

Optional Accesories:

- Splice Tables
- Walkways

